

## Eco Preparation 700 mm Sink with 1 Bowl

ITEM # \_\_\_\_\_

MODEL # \_\_\_\_\_

NAME # \_\_\_\_\_

SIS # \_\_\_\_\_

AIA # \_\_\_\_\_



132894 (SL07N)

Sink Unit with 1 bowl  
500x500, 700mm

### Short Form Specification

Item No. \_\_\_\_\_

Worktop in 304 AISI stainless steel with front edge h=50mm. Rear upstand h=100mm. N.1 bowl 500x500mm. Front and side covering panels in stainless steel. Rear panel in stainless steel. Square section legs 40x40mm in stainless steel with adjustable feet.

### Main Features

- Sturdiness, stability and reliability of table accurately tested.

### Construction

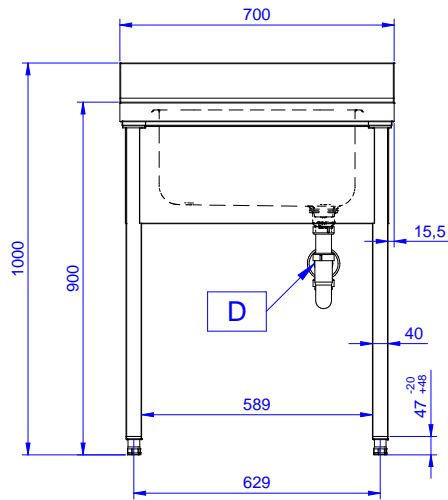
- Constructed entirely in stainless steel to offer maximum durability.
- Delivered in knock-down package.
- Wide range of taps are available to suit every need.

### Optional Accessories

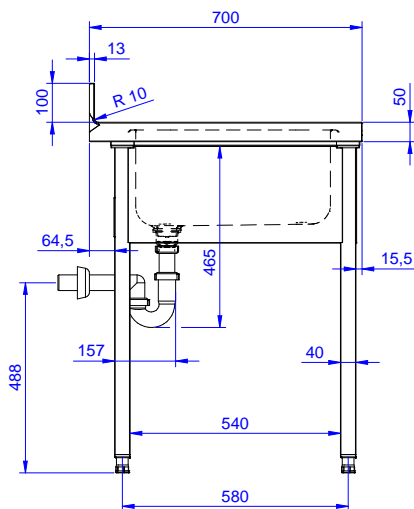
- Set of 4 wheels (2 with brake) PNC 855150   
d. 100mm for tables and sinks  
(total height on wheels= 993 mm)
- Single plastic drain syphon 1,5 PNC 855306   
" for work tables with bowl
- Elbow operated mixer tap with PNC 855322   
spout 3/4", single hole
- Elbow operated mixer tap with PNC 855323   
short spout 3/4", single hole
- Foot operated mixer tap (hot PNC 855328   
and cold) with spout 3/4"

APPROVAL: \_\_\_\_\_

Front

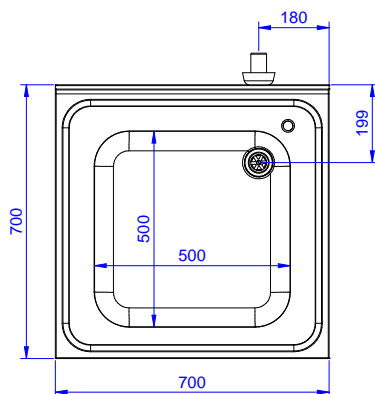


Side



D = Drain

Top


**Key Information:**

<b>External dimensions, Width:</b>	
<b>132894 (SL07N)</b>	700 mm
<b>External dimensions, Depth:</b>	700 mm
<b>External dimensions, Height:</b>	900 mm
<b>Upstand Dimensions, Height:</b>	100 mm
<b>Upstand Dimensions, Depth:</b>	13 mm
<b>Upstand Dimensions, Radius:</b>	R=10
<b>Bowls number</b>	1
<b>Bowl dimensions</b>	500x500xH250
<b>Net weight:</b>	20 kg